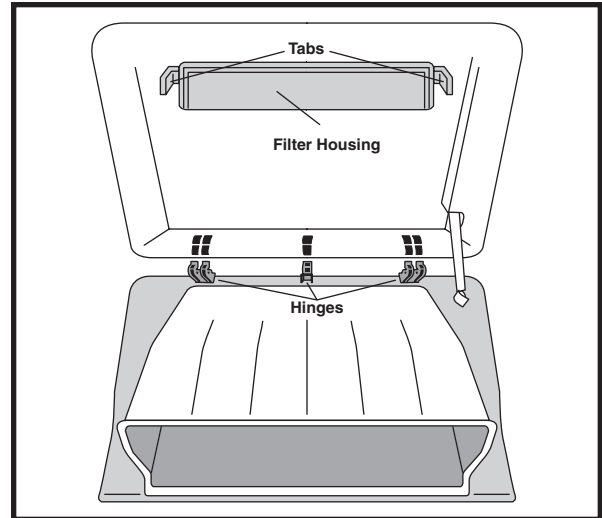


CABIN AIR FILTER

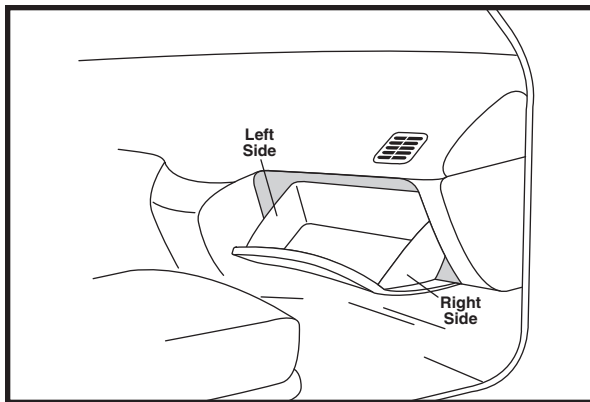
IDENTIFICATION / INSTALLATION

IMPORTS

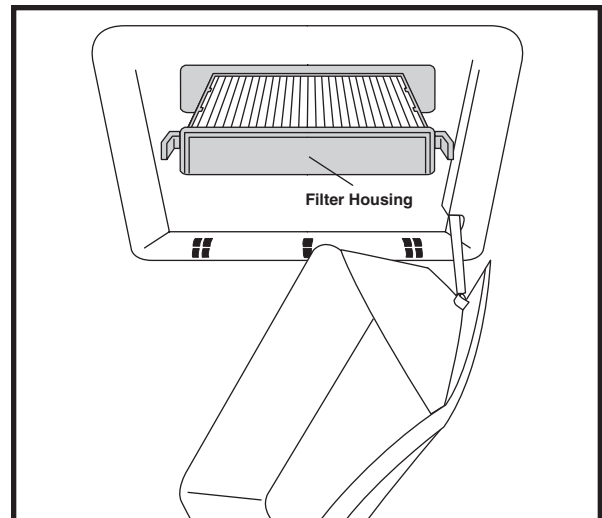
PA4188



4. Push up on back of glove compartment to release glove compartment hinges.
5. Pull out glove compartment. (Right side of glove compartment remains attached.)
6. Squeeze tabs on left and right sides of filter housing and remove.



1. Open passenger side door.
2. Open glove compartment.
3. Push in on left and right sides of glove compartment to release glove compartment.



7. Remove filter from filter housing.
8. Replace filter and reassemble.

Notice: The information provided is based on the latest authoritative information available at press time. However, due to manufacturers' changes, and year and model variations, Baldwin Filters cannot be responsible for misapplications and instruction errors.

BALDWIN FILTERS® **BALDWIN**
a CLARCOR company

4400 East Highway 30 ■ P.O. Box 6010
Kearney, Nebraska 68848-6010
Phone: (308) 234-1951 ■ Toll Free: (800) 822-5394
Fax: (800) 828-4453 ■ Int'l Fax: (308) 237-9769
Internet: www.baldwinfilter.com